

plug in stereo

PERFORMANCE TECHNICAL RIDER

Tour Manager: **Zach Blasko** | Ph: **502-298-5240** | zachblasko@gmail.com

STAGE REQUIREMENTS

The stage must be sturdy and safe, with enough room for the entire PLUG IN STEREO backline. There must also be enough room for other bands' backline.

STAGEHANDS

Two (2) Stagehands/Loaders for load in / out (if possible).

LIGHTING REQUIREMENTS

The lighting system must be capable of illuminating the entire stage. No strobes. PLUG IN STEREO does not tour with a Lighting Director

STAGE POWER

Please provide (3) 20amp quad boxes for stage power. 3 will be needed along the back of the stage. Please also provide separate power drops for the support acts.

SOUND REQUIREMENTS

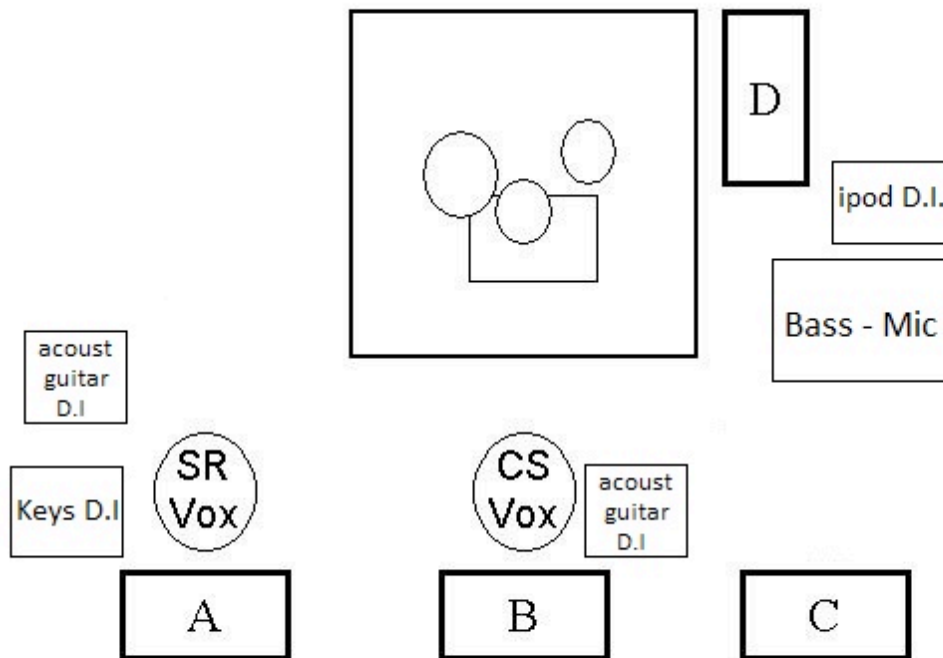
Purchaser agrees to provide, at his/her sole expense, a professional, quality sound system, FOH board, Monitor board, full microphone package, microphone stands, DI's, accessories – all managed by qualified and sober house engineers. PLUG IN STEREO does not tour with a FOH or Monitor Engineer.

MONITORS:

PLUG IN STEREO requires (4) separate and fully functional monitor mixes. They must be mixed from a monitor console located on the side of the stage. This console will have a minimum of 14 (Fourteen) dedicated channels for the exclusive use of PLUG IN STEREO. We request these not to be changed once PLUG IN STEREO has sound / line checked.

PERFORMANCE STAGE PLOT

Plug In Stereo stage plot



Input List

- 1 – Kick
- 2 – Snare Top
- 3 – Hats
- 4 – Rack Tom
- 5 – Floor Tom
- 6 – O/H RT
- 7 – O/H LT
- 8 – CS Vox
- 9 – SR Vox
- 10 – Acoust Guitar–D.I.
- 11 – Acoust Guitar–D.I.
- 12 – Keys - D.I.
- 13 – Bass - D.I.
- 14 - Ipod - D.I.

Front of Stage

HOSPITALITY RIDER

Plug In Stereo would love to have the following at all shows:

- * Clean & secure room inside the venue for band and crew's exclusive use
- * (6) clean towels for on and off stage use
- * (1) case of Natural Spring Water bottled (room temperature)
- * (6) assorted Naked Juice brand or Odwalla Juice brand juices
- * (1) Pack of any flavor Santa Cruz Organic Drinks
- * (1) box of Original Wheat Thins
- * (1) container of Easy Cheese
- * (1) bag of Pita chips
- * (1) container of Hummus
- * Plastic bowls, plates, utensils, and red plastic cups
- * (1) pack of Marlboro Menthol Cigarettes
- * (1) package of each: 9volt / AA / C / D batteries

*****We HIGHLY encourage and appreciate all venues to provide RECYCLING bins for all recyclable materials used by staff, bands, and audience!!!**

Thank you!